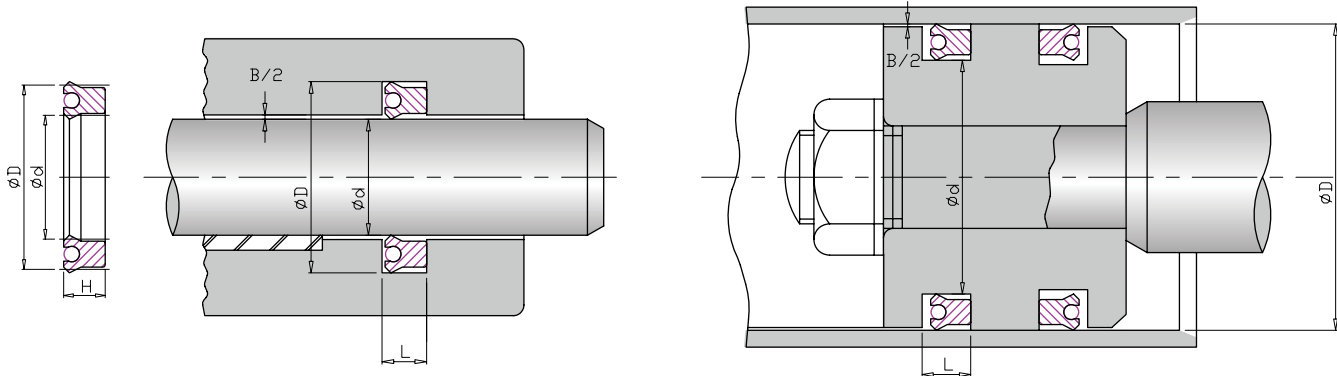
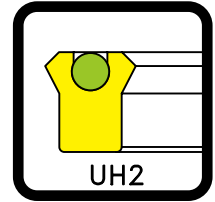


UH2 Series

Symmetrical Piston & Rod U-Cup Seal
(U-Cup Seal with NBR70 Shore A O-Ring)



*L=H+10%

ESTER TPU 95 PHYSICAL PROPERTIES			
Working Pressure: ≤ 35 Mpa	Hardness	95 Shore A	DIN53515
Working Temperature: -35°C ~ +80°C		95 Shore A	ASTM D2240
Surface Speed: ≤ 0.8 m/s	Tensile Strength	50 Mpa	DIN53504
Media: Mineral Oil		7252 psi	ASTM D-412
Abrasion Resistance 35mm ³	Elongation	515 %	DIN53504
DIN53516		515 %	ASTM D-412
Compression Set 30%	Tear Strength	140 N/mm	DIN53504
DIN53517		799 pli	ASTM D-624
24 hrs @ 100 °C 30%	Standard Compound	KC9502AA	
ASTM D-395	Color	Black ●	
Specific gravity 1.18 g/cm ³			
DIN53479			
1.18 g/cm ³			
ASTM D-972			

CODE	d (inch)	D (inch)	H (inch)	d (mm)	D (mm)	H (mm)
UH20001	1/8	3/8	1/4	3.18	9.53	6.35
UH20002	3/16	7/16	1/4	4.76	11.11	6.35
UH20003	1/4	1/2	1/4	6.35	12.70	6.35
UH20004	5/16	9/16	1/4	7.94	14.29	6.35
UH20005	3/8	5/8	1/4	9.53	15.88	6.35
UH20006	7/16	11/16	1/4	11.11	17.46	6.35
UH20007	1/2	3/4	1/8	12.70	19.05	3.18
UH20008	1/2	3/4	1/4	12.70	19.05	6.35
UH20009	9/16	13/16	1/4	14.29	20.64	6.35
UH20010	5/8	7/8	3/16	15.88	22.23	4.76
UH20011	5/8	7/8	1/4	15.88	22.23	6.35
UH20012	11/16	15/16	1/4	17.46	23.81	6.35
UH20013	3/4	1	1/8	19.05	25.40	3.18
UH20014	3/4	1	3/16	19.05	25.40	4.76
UH20015	3/4	1	1/4	19.05	25.40	6.35
UH20016	13/16	1 1/16	1/8	20.64	26.99	3.18
UH20017	13/16	1 1/16	1/4	20.64	26.99	6.35

CODE	d (inch)	D (inch)	H (inch)	d (mm)	D (mm)	H (mm)
UH20018	7/8	1 1/8	1/4	22.23	28.58	6.35
UH20019	15/16	1 3/16	1/4	23.81	30.16	6.35
UH20020	1	1 1/4	1/8	25.40	31.75	3.18
UH20021	1	1 1/4	3/16	25.40	31.75	4.76
UH20022	1	1 1/4	1/4	25.40	31.75	6.35
UH20023	1 1/16	1 5/16	1/4	26.99	33.34	6.35
UH20024	1 1/8	1 3/8	1/4	28.58	34.93	6.35
UH20025	1 3/16	1 7/16	1/4	30.16	36.51	6.35
UH20026	1 1/4	1 1/2	3/16	31.75	38.10	4.76
UH20027	1 1/4	1 1/2	1/4	31.75	38.10	6.35
UH20028	1 5/16	1 9/16	3/16	33.34	39.69	4.76
UH20029	1 3/8	1 5/8	1/4	34.93	41.28	6.35
UH20030	1 3/8	1 5/8	5/16	34.93	41.28	7.94
UH20031	1 7/16	1 11/16	1/4	36.51	42.86	6.35
UH20032	1 1/2	1 3/4	1/4	38.10	44.45	6.35
UH20033	1 3/4	2	1/4	44.45	50.80	6.35
UH20034	1 7/8	2 1/8	1/8	47.63	53.98	3.18

UH2 Series

Symmetrical Piston & Rod U-Cup Seal
(U-Cup Seal with NBR70 Shore A O-Ring)

CODE	d (inch)	D (inch)	H (inch)	d (mm)	D (mm)	H (mm)
UH20035	1 7/8	2 1/8	1/4	47.63	53.98	6.35
UH20036	2	2 1/4	1/4	50.80	57.15	6.35
UH20037	2 1/8	2 3/8	1/4	53.98	60.33	6.35
UH20038	2 1/4	2 1/2	1/4	57.15	63.50	6.35
UH20039	2 1/2	2 3/4	1/4	63.50	69.85	6.35
UH20040	2 3/4	3	1/4	69.85	76.20	6.35
UH20041	1/4	5/8	5/16	6.35	15.88	7.94
UH20042	5/16	11/16	5/16	7.94	17.46	7.94
UH20043	3/8	3/4	5/16	9.53	19.05	7.94
UH20044	7/16	13/16	5/16	11.11	20.64	7.94
UH20045	1/2	7/8	5/16	12.70	22.23	7.94
UH20046	9/16	15/16	5/16	14.29	23.81	7.94
UH20047	5/8	1	5/16	15.88	25.40	7.94
UH20048	11/16	1 1/16	5/16	17.46	26.99	7.94
UH20049	3/4	1 1/8	5/16	19.05	28.58	7.94
UH20051	13/16	1 3/16	5/16	20.64	30.16	7.94
UH20052	7/8	1 1/4	5/16	22.23	31.75	7.94
UH20053	15/16	1 5/16	5/16	23.81	33.34	7.94
UH20054	1	1 3/8	5/16	25.40	34.93	7.94
UH20055	1 1/16	1 7/16	5/16	26.99	36.51	7.94
UH20056	1 1/8	1 1/2	3/16	28.58	38.10	4.76
UH20057	1 1/8	1 1/2	5/16	28.58	38.10	7.94
UH20058	1 1/8	1 1/2	3/8	28.58	38.10	9.53
UH20059	1 3/16	1 9/16	5/16	30.16	39.69	7.94
UH20060	1 1/4	1 5/8	1/4	31.75	41.28	6.35
UH20061	1 1/4	1 5/8	5/16	31.75	41.28	7.94
UH20062	1 1/4	1 5/8	3/8	31.75	41.28	9.53
UH20063	1 5/16	1 11/16	5/16	33.34	42.86	7.94
UH20064	1 3/8	1 3/4	1/4	34.93	44.45	6.35
UH20065	1 3/8	1 3/4	5/16	34.93	44.45	7.94
UH20066	1 3/8	1 3/4	3/8	34.93	44.45	9.53
UH20067	1 7/16	1 13/16	5/16	36.51	46.04	7.94
UH20068	1 1/2	1 7/8	3/16	38.10	47.63	4.76
UH20069	1 1/2	1 7/8	1/4	38.10	47.63	6.35
UH20071	1 1/2	1 7/8	5/16	38.10	47.63	7.94
UH20072	1 1/2	1 7/8	3/8	38.10	47.63	9.53
UH20073	1 5/8	2	5/16	41.28	50.80	7.94
UH20074	1 5/8	2	3/8	41.28	50.80	9.53
UH20075	1 3/4	2 1/8	5/16	44.45	53.98	7.94
UH20076	1 3/4	2 1/8	3/8	44.45	53.98	9.53
UH20077	1 7/8	2 1/4	3/8	47.63	57.15	9.53
UH20078	2	2 3/8	5/16	50.80	60.33	7.94
UH20079	2	2 3/8	3/8	50.80	60.33	9.53
UH20080	2 1/8	2 1/2	3/16	53.98	63.50	4.76
UH20081	2 1/8	2 1/2	1/4	53.98	63.50	6.35
UH20082	2 1/8	2 1/2	3/8	53.98	63.50	9.53
UH20083	2 1/4	2 5/8	5/16	57.15	66.68	7.94
UH20084	2 1/4	2 5/8	3/8	57.15	66.68	9.53
UH20085	2 3/8	2 3/4	3/8	60.33	69.85	9.53

CODE	d (inch)	D (inch)	H (inch)	d (mm)	D (mm)	H (mm)
UH20087	2 1/2	2 7/8	1/4	63.50	73.03	6.35
UH20088	2 1/2	2 7/8	3/8	63.50	73.03	9.53
UH20089	2 5/8	3	9/32	66.68	76.20	7.14
UH20090	2 5/8	3	3/8	66.68	76.20	9.53
UH20091	2 3/4	3 1/8	3/16	69.85	79.38	4.76
UH20093	2 7/8	3 1/4	9/32	73.03	82.55	7.14
UH20095	3	3 3/8	1/4	76.20	85.73	6.35
UH20096	3	3 3/8	3/8	76.20	85.73	9.53
UH20097	3 1/8	3 1/2	3/8	79.38	88.90	9.53
UH20099	3 3/8	3 3/4	3/16	85.73	95.25	4.76
UH20101	3 1/2	3 7/8	3/8	88.90	98.43	9.53
UH20102	3 5/8	4	3/8	92.08	101.60	9.53
UH20105	4	4 3/8	3/16	101.60	111.13	4.76
UH20106	4	4 3/8	3/8	101.60	111.13	9.53
UH20109	4 3/8	4 3/4	3/8	111.13	120.65	9.53
UH20114	5 1/2	5 7/8	3/8	139.70	149.23	9.53
UH20118	7/16	15/16	3/8	11.13	23.83	9.53
UH20120	1/2	1	3/8	12.70	25.40	9.53
UH20124	3/4	1 1/4	3/8	19.05	31.75	9.53
UH20127	1	1 1/2	3/8	25.40	38.10	9.53
UH20129	1 1/4	1 3/4	3/8	31.75	44.45	9.53
UH20131	1 3/8	1 7/8	3/8	34.93	47.63	9.53
UH20135	1 1/2	2	3/8	38.10	50.80	9.53
UH20138	1 3/4	2 1/4	3/8	44.45	57.15	9.53
UH20141	2	2 1/2	1/4	50.80	63.50	6.35
UH20142	2	2 1/2	3/8	50.80	63.50	9.53
UH20144	2 1/8	2 5/8	3/8	53.98	66.68	9.53
UH20145	2 1/4	2 3/4	3/8	57.15	69.85	9.53
UH20146	2 3/8	2 7/8	3/8	60.33	73.03	9.53
UH20148	2 1/2	3	3/8	63.50	76.20	9.53
UH20150	2 5/8	3 1/8	3/8	66.68	79.38	9.53
UH20151	2 3/4	3 1/4	3/8	69.85	82.55	9.53
UH20152	2 7/8	3 3/8	3/8	73.03	85.73	9.53
UH20154	3	3 1/2	3/8	76.20	88.90	9.53
UH20156	3 1/4	3 3/4	3/8	82.55	95.25	9.53
UH20158	3 1/2	4	3/8	88.90	101.60	9.53
UH20160	3 3/4	4 1/4	3/8	95.25	107.95	9.53
UH20163	4	4 1/2	3/8	101.60	114.30	9.53
UH20164	4	4 1/2	1/2	101.60	114.30	12.70
UH20165	4	4 1/2	9/16	101.60	114.30	14.29
UH20166	4 1/16	4 9/16	3/8	103.17	115.87	9.53
UH20174	4 1/2	5	3/8	114.30	127.00	9.53
UH20175	4 1/2	5	9/16	114.30	127.00	14.29
UH20177	4 5/8	5 1/8	9/16	117.48	130.18	14.29
UH20178	4 3/4	5 1/4	3/8	120.65	133.35	9.53
UH20179	4 3/4	5 1/4	9/16	120.65	133.35	14.29
UH20181	4 7/8	5 3/8	9/16	123.83	136.53	14.29
UH20182	5	5 1/2	3/8	127.00	139.70	9.53
UH20183	5	5 1/2	9/16	127.00	139.70	14.29

UH2 Series

Symmetrical Piston & Rod U-Cup Seal
(U-Cup Seal with NBR70 Shore A O-Ring)

CODE	d (inch)	D (inch)	H (inch)	d (mm)	D (mm)	H (mm)
UH20187	5 1/2	6	3/8	139.70	152.40	9.53
UH20188	5 1/2	6	9/16	139.70	152.40	14.29
UH20190	5 3/4	6 1/4	9/16	146.05	158.75	14.29
UH20191	6	6 1/2	3/8	152.40	165.10	9.53
UH20195	6 1/2	7	3/8	165.10	177.80	9.53
UH20197	6 3/4	7 1/4	3/8	171.45	184.15	9.53
UH20198	6 3/4	7 1/4	9/16	171.45	184.15	14.29
UH20240	1 1/2	2 1/8	1/2	38.10	53.98	12.70
UH20244	1 3/4	2 3/8	1/2	44.45	60.33	12.70
UH20247	2	2 5/8	1/2	50.80	66.68	12.70
UH20250	2 1/4	2 7/8	1/2	57.15	73.03	12.70
UH20251	2 3/8	3	1/2	60.33	76.20	12.70
UH20252	2 1/2	3 1/8	1/2	63.50	79.38	12.70
UH20253	2 5/8	3 1/4	1/2	66.68	82.55	12.70
UH20256	3	3 5/8	1/2	76.20	92.08	12.70
UH20258	3 3/8	4	1/2	85.73	101.60	12.70
UH20259	3 1/2	4 1/8	1/2	88.90	104.78	12.70
UH20266	4 1/4	4 7/8	9/16	107.95	123.83	14.29
UH20271	4 3/4	5 3/8	5/8	120.65	136.53	15.88
UH20272	5	5 5/8	5/8	127.00	142.88	15.88
UH20273	5 1/8	5 3/4	5/8	130.18	146.05	15.88
UH20274	5 1/4	5 7/8	5/8	133.35	149.23	15.88
UH20298	2 1/4	3	5/8	57.15	76.20	15.88
UH20300	2 1/2	3 1/4	1/2	63.50	82.55	12.70
UH20301	2 1/2	3 1/4	5/8	63.50	82.55	15.88
UH20303	2 3/4	3 1/2	5/8	69.85	88.90	15.88
UH20304	2 7/8	3 5/8	5/8	73.03	92.08	15.88
UH20306	3	3 3/4	5/8	76.20	95.25	15.88
UH20309	3 1/4	4	5/8	82.55	101.60	15.88
UH20311	3 1/2	4 1/4	5/8	88.90	107.95	15.88
UH20313	3 3/4	4 1/2	5/8	95.25	114.30	15.88
UH20315	4	4 3/4	1/2	101.60	120.65	12.70
UH20316	4	4 3/4	5/8	101.60	120.65	15.88
UH20318	4 1/4	5	5/8	107.95	127.00	15.88
UH20323	4 7/8	5 5/8	5/8	123.83	142.88	15.88
UH20325	5	5 3/4	5/8	127.00	146.05	15.88
UH20327	5 1/4	6	5/8	133.35	152.40	15.88
UH20329	5 1/2	6 1/4	5/8	139.70	158.75	15.88
UH20331	5 3/4	6 1/2	5/8	146.05	165.10	15.88
UH20343	7 1/4	8	5/8	184.15	203.20	15.88
UH20355	9	9 3/4	5/8	228.60	247.65	15.88
UH20357	9 1/2	10 1/4	5/8	241.30	260.35	15.88
UH20359	10 1/4	11	1/2	260.35	279.40	12.70
UH20401	5 1/2	6 1/2	3/4	139.70	165.10	19.05
UH20407	7	8	3/4	177.80	203.20	19.05