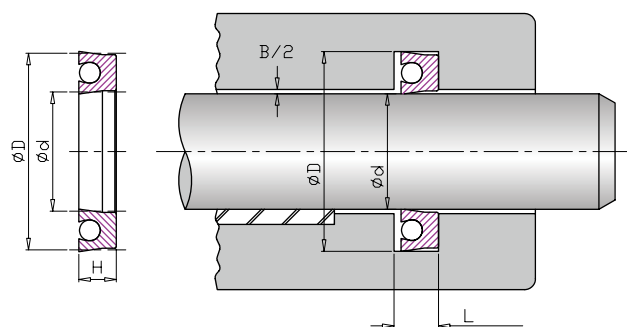
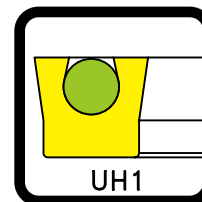
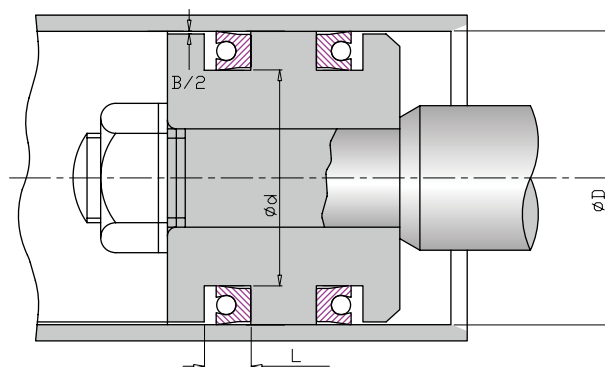


UH1 Series

Symmetrical Piston & Rod U-Cup Seal
(U-Cup Seal with NBR70 Shore A O-Ring)



$$*L=H+10\%$$



ESTER TPU 95 PHYSICAL PROPERTIES

Working Pressure: ≤ 35 Mpa	Hardness	95 Shore A	DIN53515
Working Temperature: $-35^{\circ}\text{C} \sim +80^{\circ}\text{C}$		95 Shore A	ASTM D2240
Surface Speed: ≤ 0.8 m/s	Tensile Strength	50 Mpa	DIN53504
Media: Mineral Oil		7252 psi	ASTM D-412
Abrasion Resistance	35mm ³	DIN53516	
Compression Set	30%	DIN53517	
24 hrs @ 100 °C	30%	ASTM D-395	
Specific gravity	1.18 g/cm ³	DIN53479	
	1.18 g/cm ³	ASTM D-972	
	Elongation	515 %	DIN53504
		515 %	ASTM D-412
	Tear Strength	140 N/mm	DIN53504
		799 pli	ASTM D-624
	Standard Compound	KC9502AA	
	Color	Black ●	

CODE	d (inch)	D (inch)	H (inch)	d (mm)	D (mm)	H (mm)
UH10001	1/16	5/16	1/8	1.59	7.94	3.18
UH10002	3/32	11/32	1/8	2.38	8.73	3.18
UH10003	1/8	3/8	1/8	3.18	9.53	3.18
UH10004	3/16	7/16	1/8	4.76	11.11	3.18
UH10005	1/4	1/2	1/8	6.35	12.70	3.18
UH10006	5/16	9/16	1/8	7.94	14.29	3.18
UH10007	23/64	39/64	1/8	9.13	15.48	3.18
UH10008	3/8	5/8	1/8	9.53	15.88	3.18
UH10009	7/16	11/16	1/8	11.11	17.46	3.18
UH10010	1/2	3/4	1/8	12.70	19.05	3.18
UH10011	17/32	25/32	1/8	13.49	19.84	3.18
UH10012	9/16	13/16	1/8	14.29	20.64	3.18
UH10013	5/8	7/8	1/8	15.88	22.23	3.18
UH10014	11/16	15/16	1/8	17.46	23.81	3.18
UH10015	3/4	1	1/8	19.05	25.40	3.18
UH10016	13/16	1 1/16	1/8	20.64	26.99	3.18

CODE	d (inch)	D (inch)	H (inch)	d (mm)	D (mm)	H (mm)
UH10017	7/8	1 1/8	1/8	22.23	28.58	3.18
UH10018	29/32	1 5/32	1/8	23.02	29.37	3.18
UH10019	15/16	1 3/16	1/8	23.81	30.16	3.18
UH10020	1	1 1/4	1/8	25.40	31.75	3.18
UH10021	1 1/16	1 5/16	1/8	26.99	33.34	3.18
UH10022	1 1/8	1 3/8	1/8	28.58	34.93	3.18
UH10023	1 3/16	1 7/16	1/8	30.16	36.51	3.18
UH10024	1 1/4	1 1/2	1/8	31.75	38.10	3.18
UH10025	1 5/16	1 9/16	1/8	33.34	39.69	3.18
UH10026	1 3/8	1 5/8	1/8	34.93	41.28	3.18
UH10027	1 7/16	1 11/16	1/8	36.51	42.86	3.18
UH10028	1 1/2	1 3/4	1/8	38.10	44.45	3.18
UH10029	1 9/16	1 13/16	1/8	39.69	46.04	3.18
UH10030	1 5/8	1 7/8	1/8	41.28	47.63	3.18
UH10031	1 11/16	1 15/16	1/8	42.86	49.21	3.18
UH10032	1 3/4	2	1/8	44.45	50.80	3.18

UH1 Series

Symmetrical Piston & Rod U-Cup Seal
(U-Cup Seal with NBR70 Shore A O-Ring)

CODE	d (inch)	D (inch)	H (inch)	d (mm)	D (mm)	H (mm)
UH10033	1 7/8	2 1/8	1/8	47.63	53.98	3.18
UH10034	2	2 1/4	1/8	50.80	57.15	3.18
UH10035	2 1/8	2 3/8	1/8	53.98	60.33	3.18
UH10036	2 1/4	2 1/2	1/8	57.15	63.50	3.18
UH10037	2 3/8	2 5/8	1/8	60.33	66.68	3.18
UH10038	2 1/2	2 3/4	1/8	63.50	69.85	3.18
UH10039	2 5/8	2 7/8	1/8	66.68	73.03	3.18
UH10040	2 3/4	3	1/8	69.85	76.20	3.18
UH10041	2 7/8	3 1/8	1/8	73.03	79.38	3.18
UH10042	3	3 1/4	1/8	76.20	82.55	3.18
UH10043	3 1/4	3 1/2	1/8	82.55	88.90	3.18
UH10044	3 3/8	3 5/8	1/8	85.73	92.08	3.18
UH10045	3 1/2	3 3/4	1/8	88.90	95.25	3.18
UH10046	4	4 1/4	1/8	101.60	107.95	3.18
UH10047	4 1/4	4 1/2	1/8	107.95	114.30	3.18
UH10048	4 3/8	4 5/8	1/8	111.13	117.48	3.18
UH10049	4 1/2	4 3/4	1/8	114.30	120.65	3.18
UH10050	4 3/4	5	1/8	120.65	127.00	3.18
UH10051	5	5 1/4	1/8	127.00	133.35	3.18
UH10052	5 3/4	6	1/8	146.05	152.40	3.18
UH10053	7/16	3/4	5/32	11.11	19.05	3.97
UH10054	3/4	1 1/16	5/32	19.05	26.99	3.97
UH10055	15/16	1 1/4	5/32	23.81	31.75	3.97
UH10056	1	1 5/16	5/32	25.40	33.34	3.97
UH10057	1 1/16	1 3/8	5/32	26.99	34.93	3.97
UH10058	1 3/16	1 1/2	5/32	30.16	38.10	3.97
UH10059	1 1/4	1 9/16	5/32	31.75	39.69	3.97
UH10060	1 3/8	1 11/16	5/32	34.93	42.86	3.97
UH10061	2 1/16	2 3/8	5/32	52.39	60.33	3.97
UH10062	9/16	29/32	11/64	14.29	23.02	4.37
UH10063	3/16	9/16	3/16	4.76	14.29	4.76
UH10064	1/4	5/8	3/16	6.35	15.88	4.76
UH10065	5/16	11/16	3/16	7.94	17.46	4.76
UH10066	3/8	3/4	3/16	9.53	19.05	4.76
UH10067	7/16	13/16	3/16	11.11	20.64	4.76
UH10068	1/2	7/8	3/16	12.70	22.23	4.76
UH10069	9/16	15/16	3/16	14.29	23.81	4.76
UH10070	5/8	1	3/16	15.88	25.40	4.76
UH10071	21/32	1 1/32	3/16	16.67	26.19	4.76
UH10072	11/16	1 1/16	3/16	17.46	26.99	4.76
UH10073	3/4	1 1/8	3/16	19.05	28.58	4.76
UH10074	13/16	1 3/16	3/16	20.64	30.16	4.76
UH10075	7/8	1 1/4	3/16	22.23	31.75	4.76
UH10076	15/16	1 5/16	3/16	23.81	33.34	4.76
UH10077	1	1 3/8	3/16	25.40	34.93	4.76
UH10078	1 1/16	1 7/16	3/16	26.99	36.51	4.76
UH10079	1 1/8	1 1/2	3/16	28.58	38.10	4.76
UH10080	1 3/16	1 9/16	3/16	30.16	39.69	4.76
UH10081	1 1/4	1 5/8	3/16	31.75	41.28	4.76

CODE	d (inch)	D (inch)	H (inch)	d (mm)	D (mm)	H (mm)
UH10082	1 5/16	1 11/16	3/16	33.34	42.86	4.76
UH10083	1 3/8	1 3/4	3/16	34.93	44.45	4.76
UH10084	1 7/16	1 13/16	3/16	36.51	46.04	4.76
UH10085	1 1/2	1 7/8	3/16	38.10	47.63	4.76
UH10086	1 9/16	1 15/16	3/16	39.69	49.21	4.76
UH10087	1 5/8	2	3/16	41.28	50.80	4.76
UH10088	1 11/16	2 1/16	3/16	42.86	52.39	4.76
UH10089	1 3/4	2 1/8	3/16	44.45	53.98	4.76
UH10090	1 13/16	2 3/16	3/16	46.04	55.56	4.76
UH10091	1 7/8	2 1/4	3/16	47.63	57.15	4.76
UH10092	1 15/16	2 5/16	3/16	49.21	58.74	4.76
UH10093	2	2 3/8	3/16	50.80	60.33	4.76
UH10094	2 1/16	2 7/16	3/16	52.39	61.91	4.76
UH10095	2 1/8	2 1/2	3/16	53.98	63.50	4.76
UH10096	2 1/4	2 5/8	3/16	57.15	66.68	4.76
UH10097	2 3/8	2 3/4	3/16	60.33	69.85	4.76
UH10098	2 1/2	2 7/8	3/16	63.50	73.03	4.76
UH10099	2 5/8	3	3/16	66.68	76.20	4.76
UH10100	2 3/4	3 1/8	3/16	69.85	79.38	4.76
UH10101	2 7/8	3 1/4	3/16	73.03	82.55	4.76
UH10102	3	3 3/8	3/16	76.20	85.73	4.76
UH10103	3 1/8	3 1/2	3/16	79.38	88.90	4.76
UH10104	3 1/4	3 5/8	3/16	82.55	92.08	4.76
UH10105	3 3/8	3 3/4	3/16	85.73	95.25	4.76
UH10106	3 1/2	3 7/8	3/16	88.90	98.43	4.76
UH10107	3 5/8	4	3/16	92.08	101.60	4.76
UH10108	3 3/4	4 1/8	3/16	95.25	104.78	4.76
UH10109	3 7/8	4 1/4	3/16	98.43	107.95	4.76
UH10110	4	4 3/8	3/16	101.60	111.13	4.76
UH10111	4 1/8	4 1/2	3/16	104.78	114.30	4.76
UH10112	4 1/4	4 5/8	3/16	107.95	117.48	4.76
UH10113	4 3/8	4 3/4	3/16	111.13	120.65	4.76
UH10114	4 1/2	4 7/8	3/16	114.30	123.83	4.76
UH10115	4 3/4	5 1/8	3/16	120.65	130.18	4.76
UH10116	4 7/8	5 1/4	3/16	123.83	133.35	4.76
UH10117	5 11/16	6 1/16	3/16	144.46	153.99	4.76
UH10118	5 7/8	6 1/4	3/16	149.23	158.75	4.76
UH10119	6	6 3/8	3/16	152.40	161.93	4.76
UH10120	6 5/16	6 11/16	3/16	160.34	169.86	4.76
UH10121	5/16	3/4	7/32	7.94	19.05	5.56
UH10122	7/16	7/8	7/32	11.11	22.23	5.56
UH10123	9/16	1	7/32	14.29	25.40	5.56
UH10124	3/4	1 3/16	7/32	19.05	30.16	5.56
UH10125	15/16	1 3/8	7/32	23.81	34.93	5.56
UH10126	1 3/4	2 3/16	7/32	44.45	55.56	5.56
UH10127	2 1/16	2 1/2	7/32	52.39	63.50	5.56
UH10128	2 1/2	2 5/16	7/32	63.50	58.74	5.56
UH10129	2 9/16	3	7/32	65.09	76.20	5.56
UH10130	2 13/16	3 1/4	7/32	71.44	82.55	5.56

UH1 Series

Symmetrical Piston & Rod U-Cup Seal
(U-Cup Seal with NBR70 Shore A O-Ring)

CODE	d (inch)	D (inch)	H (inch)	d (mm)	D (mm)	H (mm)
UH10131	3	3 7/16	7/32	76.20	87.31	5.56
UH10133	5/16	13/16	1/4	7.94	20.64	6.35
UH10136	1/2	1	1/4	12.70	25.40	6.35
UH10138	5/8	1 1/8	1/4	15.88	28.58	6.35
UH10139	11/16	1 3/16	1/4	17.45	30.16	6.35
UH10140	3/4	1 1/4	1/4	19.05	31.75	6.35
UH10142	7/8	1 3/8	1/4	22.23	34.93	6.35
UH10144	1	1 1/2	1/4	25.40	38.10	6.35
UH10147	1 1/8	1 5/8	1/4	28.58	41.28	6.35
UH10149	1 1/4	1 3/4	1/4	31.75	44.45	6.35
UH10151	1 3/8	1 7/8	1/4	34.93	47.63	6.35
UH10153	1 1/2	2	1/4	38.10	50.80	6.35
UH10155	1 3/4	2 1/4	1/4	44.45	57.15	6.35
UH10156	1 7/8	2 3/8	1/4	47.63	60.33	6.35
UH10157	2	2 1/2	1/4	50.80	63.50	6.35
UH10159	2 1/4	2 3/4	1/4	57.15	69.85	6.35
UH10161	2 1/2	3	1/4	63.50	76.20	6.35
UH10160	2 3/8	2 7/8	1/4	60.33	73.03	6.35
UH10163	2 3/4	3 1/4	1/4	69.85	82.55	6.35
UH10165	3	3 1/2	1/4	76.20	88.90	6.35
UH10166	3 1/8	3 5/8	1/4	79.38	92.08	6.35
UH10167	3 1/4	3 3/4	1/4	82.55	95.25	6.35
UH10169	3 1/2	4	1/4	88.90	101.60	6.35
UH10171	3 3/4	4 1/4	1/4	95.25	107.95	6.35
UH10174	4	4 1/2	1/4	101.60	114.30	6.35
UH10176	4 1/4	4 3/4	1/4	107.95	120.65	6.35
UH10178	4 1/2	5	1/4	114.30	127.00	6.35
UH10180	4 3/4	5 1/4	1/4	120.65	133.35	6.35
UH10181	4 7/8	5 3/8	1/4	123.83	136.53	6.35
UH10182	5	5 1/2	1/4	127.00	139.70	6.35
UH10186	5 1/2	6	1/4	139.70	152.40	6.35
UH10188	5 3/4	6 1/4	1/4	146.05	158.75	6.35
UH10189	5 7/8	6 3/8	1/4	149.23	161.93	6.35
UH10190	6	6 1/2	1/4	152.40	165.10	6.35
UH10192	6 1/2	7	1/4	165.10	177.80	6.35
UH10193	6 3/4	7 1/4	1/4	171.45	184.15	6.35
UH10197	7 1/2	8	1/4	190.50	203.20	6.35
UH10200	8	8 1/2	1/4	203.20	215.90	6.35
UH10201	8 1/2	9	1/4	215.90	228.60	6.35
UH10203	9	9 1/2	1/4	228.60	241.30	6.35
UH10204	9 1/4	9 3/4	1/4	234.95	247.65	6.35
UH10205	9 1/2	10	1/4	241.30	254.00	6.35
UH10206	9 3/4	10 1/4	1/4	247.65	260.35	6.35
UH10214	12	12 1/2	1/4	304.80	317.50	6.35
UH10215	12 1/2	13	1/4	317.50	330.20	6.35
UH10236	1	1 5/8	5/16	25.40	41.28	7.94
UH10238	1 1/8	1 3/4	5/16	28.58	44.45	7.94
UH10240	1 1/4	1 7/8	5/16	31.75	47.63	7.94

CODE	d (inch)	D (inch)	H (inch)	d (mm)	D (mm)	H (mm)
UH10243	1 1/2	2 1/8	5/16	38.10	53.98	7.94
UH10251	2 1/4	2 7/8	5/16	57.15	73.03	7.94
UH10253	2 3/8	3	5/16	60.33	76.20	7.94
UH10254	2 1/2	3 1/8	5/16	63.50	79.38	7.94
UH10263	3 1/2	4 1/8	5/16	88.90	104.78	7.94
UH10265	3 3/4	4 3/8	5/16	95.25	111.13	7.94
UH10268	4 1/8	4 3/4	5/16	104.78	120.65	7.94
UH10271	4 1/2	5 1/8	5/16	114.30	130.18	7.94
UH10283	6 3/8	7	5/16	161.93	177.80	7.94
UH10289	7 3/8	8	5/16	187.33	203.20	7.94
UH10314	1	1 3/4	3/8	25.40	44.45	9.53
UH10316	1 1/4	2	3/8	31.75	50.80	9.53
UH10322	1 5/8	2 3/8	3/8	41.28	60.33	9.53
UH10327	2 1/8	2 7/8	3/8	53.98	73.03	9.53
UH10339	3 1/4	4	3/8	82.55	101.60	9.53
UH10342	3 5/8	4 3/8	3/8	92.08	111.13	9.53
UH10343	3 3/4	4 1/2	3/8	95.25	114.30	9.53
UH10348	4 1/4	5	3/8	107.95	127.00	9.53
UH10350	4 1/2	5 1/4	3/8	114.30	133.35	9.53
UH10353	4 7/8	5 5/8	3/8	123.83	142.88	9.53
UH10360	5 3/4	6 1/2	3/8	146.05	165.10	9.53
UH10367	7 1/4	8	3/8	184.15	203.20	9.53
UH10368	7 1/2	8 1/4	3/8	190.50	209.55	9.53
UH10377	9 1/4	10	3/8	234.95	254.00	9.53
UH10382	10 1/4	11	3/8	260.35	279.40	9.53
UH10385	11 1/4	12	3/8	285.75	304.80	9.53
UH10393	13 1/4	14	3/8	336.55	355.60	9.53
UH10444	3	4	1/2	76.20	101.60	12.70
UH10463	6	7	1/2	152.40	177.80	12.70
UH10477	9	10	1/2	228.60	254.00	12.70
UH10481	10 1/2	11 1/2	1/2	266.70	292.10	12.70
UH10534	5 3/4	7	5/8	146.05	177.80	15.88
UH10539	6 3/4	8	5/8	171.45	203.20	15.88
UH10584	10 1/2	12	3/4	266.70	304.80	19.05
UH10622	10	12	1	254.00	304.80	25.40